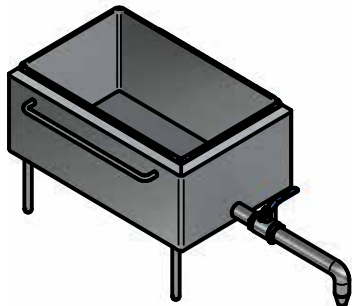
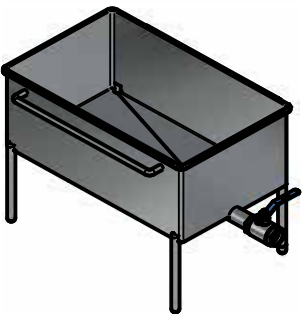
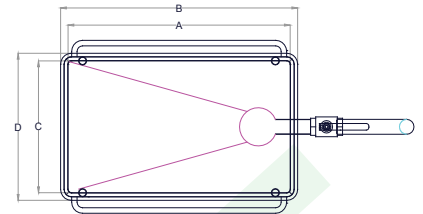
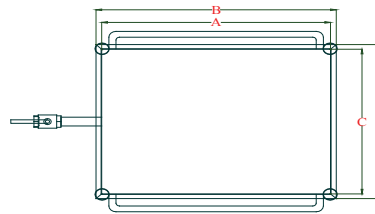


COAGULATION VAT (CAP : 250 - 1000 LTR)



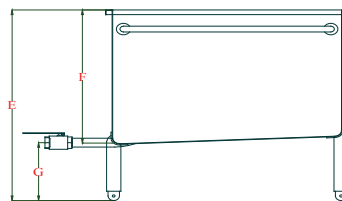
CAPACITY AVAILABLE	
MODEL NO.	CAP. (LTR)
CT-250	250
CT-500	500
CT-750	750
CT-1000	1000

WITH INSULATION

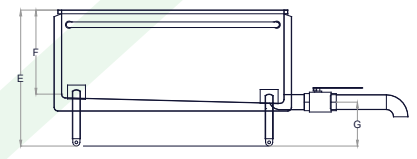


WITHOUT INSULATION

CAPACITY AVAILABLE	
MODEL NO.	CAP. (LTR)
CT-250	250
CT-500	500
CT-750	750
CT-1000	1000



WITHOUT INSULATION



WITH INSULATION

TECHNICAL SPECIFICATION

PRESSURE PROFILE FOR STEAM JACKET

TESTING PRESSURE	ATM
WORKING PRESSURE	ATM

NOTE-
* CAN ALSO BE SUPPLIED WITH SS 316.

INSULATION

CT-250	50	MM THK
CT-500	50	MM THK
CT-750	50/75	MM THK
CT-1000	50/75/100	MM THK

DIMENSION (MM) (WITHOUT INSULATION)

MODEL NO.	A	B	C	D	E	F	G
CT-250	800	850	625	665	875	600	250
CT-500	1250	1300	750	808	875	600	250
CT750	1550	1606	900	956	875	600	250
CT-1000	1800	1850	1200	1254	875	600	250

DIMENSION (MM) (WITH INSULATION)

MODEL NO.	A	B	C	D	E	F	G
CT-250	800	908	625	773	875	600	250
CT-500	1250	1408	750	916	875	600	250
CT-750	1550	1654	900	1008	875	600	250
CT-1000	1800	1958	1200	1362	875	600	250

BILL OF MATERIAL

PART NAME	QTY
SHEET FOR SHELL	1 SET
SAFETY PIPE	2 SET
NIPPLE FOR OUTLET	1 SET
SCH. THK PIPE FOR LEG	4 SET
SS BALL VALVE FOR OUTLET	1 NOS
BALL FIT FOR LEG	4 SET

MATERIAL OF CONSTRUCTION

PART NAME	MOC
SHEET FOR SHELL	2 MM SS 304
SHEET FOR BOTTOM	2 MM SS 304
NIPPLE FOR OUTLET	SCH. THK SS 304
SCH. THK PIPE FOR LEG	SS 304
SS BALL VALVE FOR OUTLET	38/51/101.6/152.4 MM SS 304 (1.5", 2", 4", 6")
BALL FIT FOR LEG	SS 304